

ROHS COMPLIANT

D-SUB MALE High density Solder type Machine Pin

MATERIALS AND FINISH

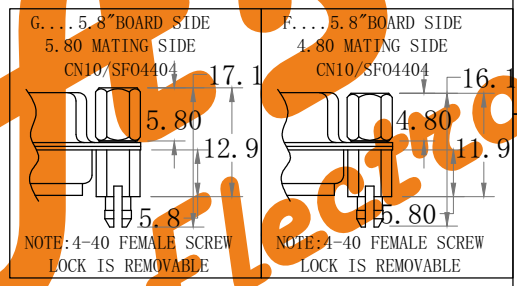
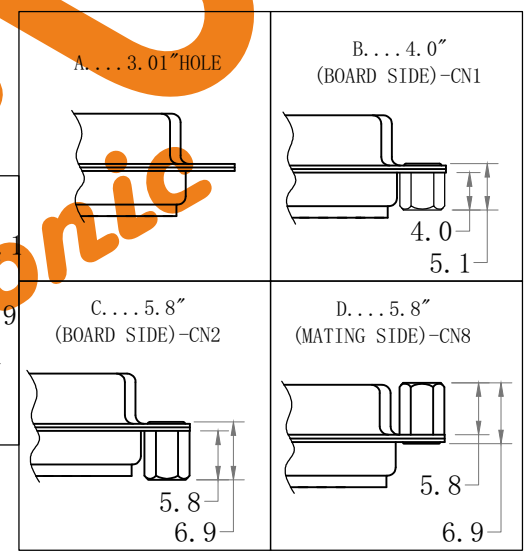
SHELL: STEEL MATERIAL, FRONT SHELL NICKEL FINISHED
 BACK SHELL NICKEL FINISHED
 INSULATOR: PBT THERMOPLASTIC, 30% GLASS
 FILLED, UL 94V-0 RATED, WHITE COLOR
 CONTACT MATERIAL: BRASS
 CONTACT FINISH: FULL 2u" GOLD
ELECTRICAL CHARACTERISTICS
 CONTACT CURRENT RATING : 5.0 AMPS
 CONTACT RESISTANCE : 30 MILLIOHMS MAX.
 DIELECTRIC WITHSTANDING VOLTAGE : 1000 V AC MIN
 INSULATION RESISTANCE : 5000 MEGAOHMS MIN

Ordering Code:

MHDB01 - M - X - X - X - X
 ① ② ③ ④ ⑤ ⑥

- ① MHDB Series
- ② Contact Type:
M: Male
- ③ Contact NO. :
15=15Pin 26=26Pin
44=44Pin 62=62Pin
- ④ Mounting Option:
A: $\leq 3.05''\text{HOLE}$, NO HARDWARE
B: 4.0"4-40 INSERT, BOARD SIDE
C: 5.8"4-40 INSERT, BOARD SIDE
D: 5.8 4-40 INSERT, MATING SIDE
E: 5.8"4-40 BOARD LOCK, BOARD SIDE
F: 5.8"BOARD LOCK, BOARD SIDE
4.80"SCREW LOCK, MATING SIDE
G: 5.8"BOARD LOCK, BOARD SIDE
5.80"SCREW LOCK, MATING SIDE
- ⑤ Insulation Color Code:
B: Black G: Grey
W: White L: Blue
- ⑥ Contact Plating
T: Tin plated
S: Selective Gold
G0: Gold flash G1 :3u" Gold
G2 :5u" Gold G3 :10u" Gold
G4 :15u" Gold G5 :30u" Gold

ALL CLINCH-NUTS ARE 4-40 INTERNAL THREADS



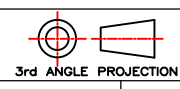
NOTE: 4-40 FEMALE SCREW LOCK IS REMOVABLE

DIMENSIONS (mm)

| No. OF PINS | A | B | C | D | E | F |
|-------------|-------|-------|-------|-------|------|------|
| 15 | 16.92 | 24.99 | 30.81 | 19.28 | 0.25 | 2.29 |
| 26 | 25.25 | 33.33 | 39.14 | 27.51 | 0.51 | 2.29 |
| 44 | 38.96 | 47.04 | 53.04 | 41.28 | 0.51 | 2.29 |
| 62 | 55.42 | 63.50 | 69.32 | 57.71 | 0.58 | 2.39 |

ACCEPTS 28-24 AWG WIRE

12/5/3
DATE



Unless Otherwise specified tolerance
 SCALE: 1:1 UNIT: mm
 DRAWN: junfon H
 CHECKED: YANG

AsA Electronic Co.
 WWW.AsA-Elec.com
 Tel : (+98) 21 66 73 56 82 Mob : (+98) 912 03 161 02

TITLE: D-SUB MALE High density Solder type Machine Pin
 DRAWING NO: MHDB01-MXXXXX
 PRODUCT NO: MHDB01-MXXXXX